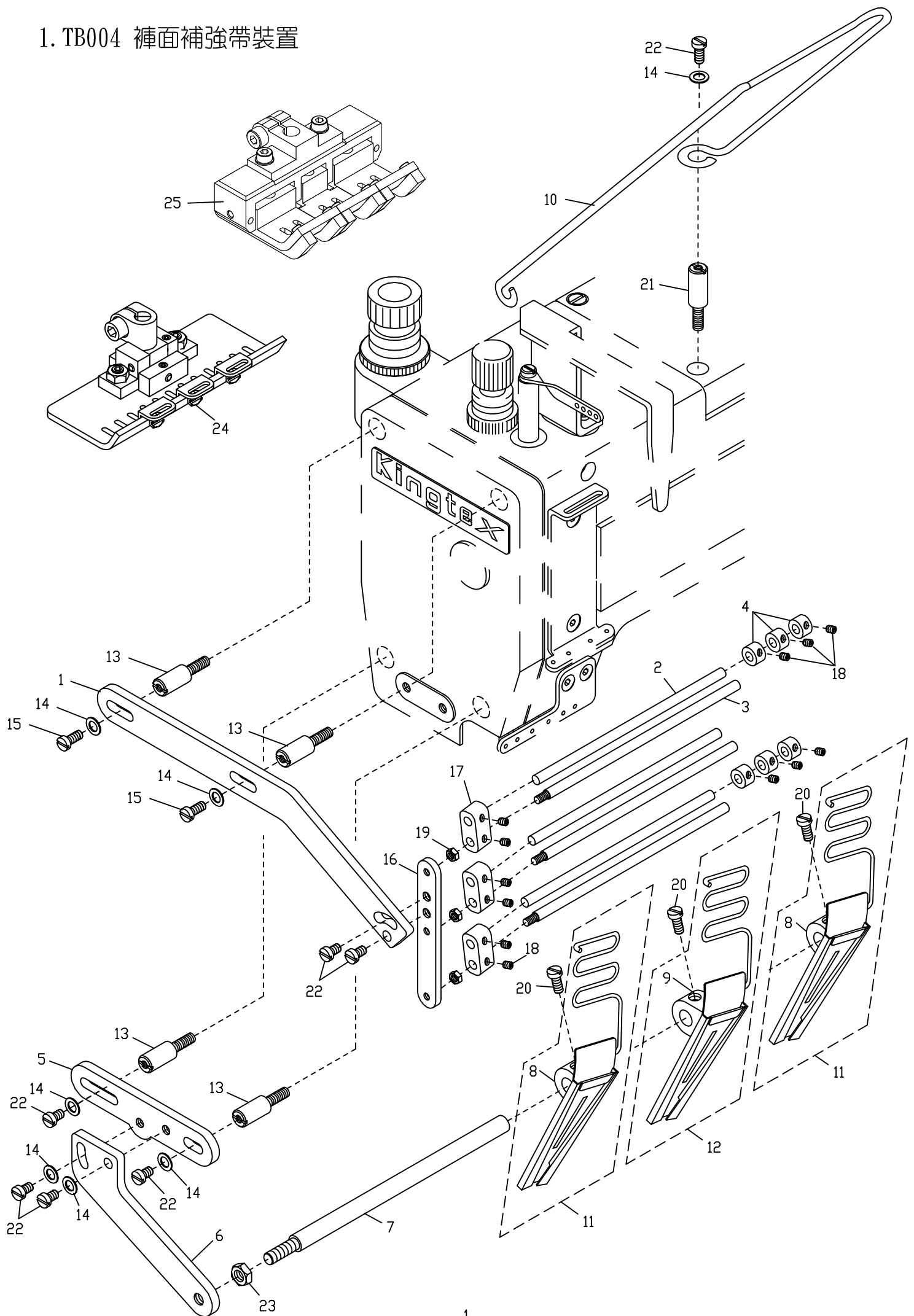


1. TB004 褲面補強帶裝置

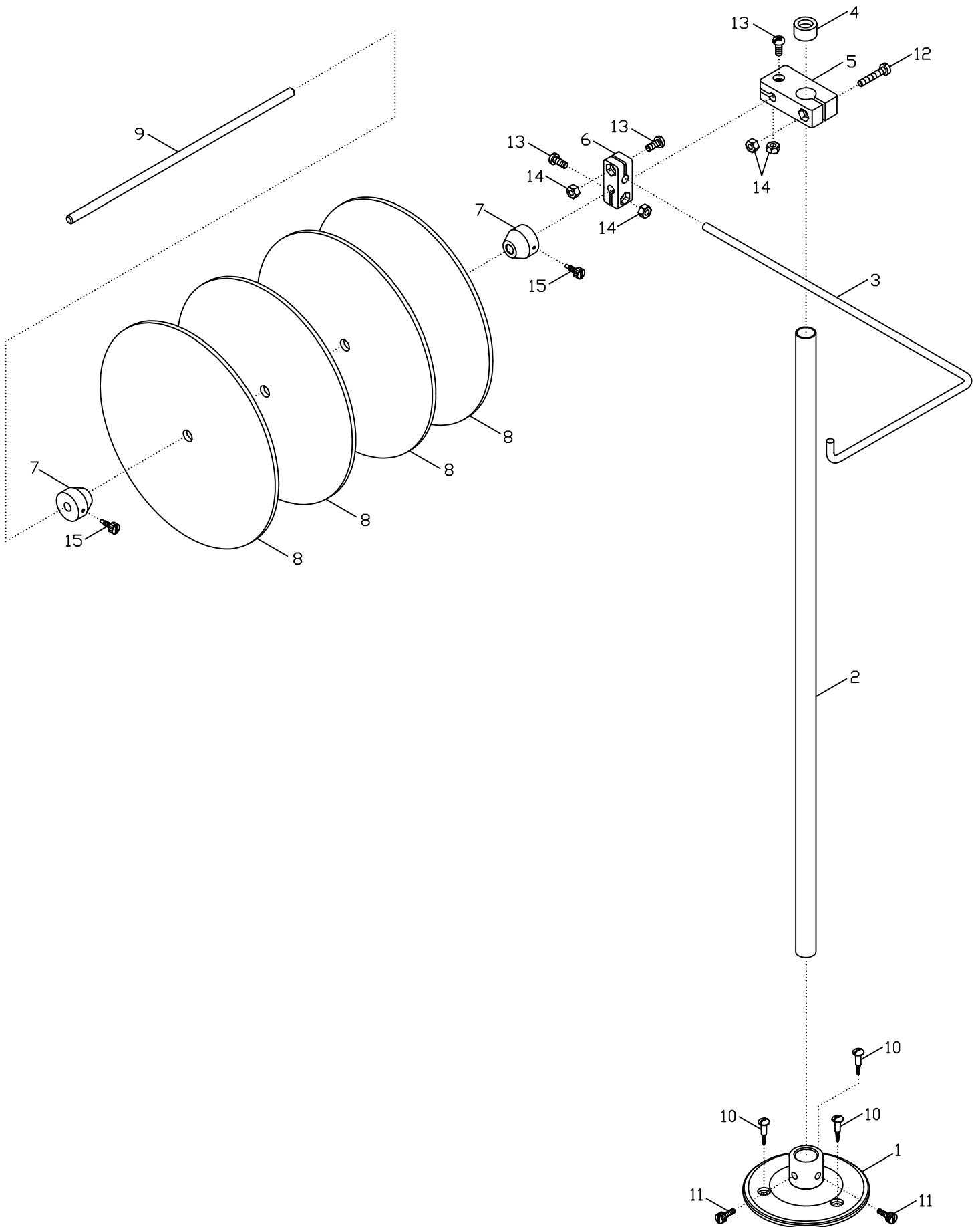


1.TB004 褲面補強帶裝置

序 號	物料編號	名 稱	單位用量
Ref.No.	Parts No.	Description	Amt.Req.
1	4TB0040101	支架 Holder -----	1
2	4TB0040102	導帶桿 Tape Guide -----	3
3	4TB0040103	導帶桿 Tape Guide -----	3
4	4TB0040104	定位環 Collar -----	6
5	4TB0040105	支架 Holder -----	1
6	4TB0040106	支架 Holder -----	1
7	4TB0040107	支架 Holder -----	1
8	4TB0040108	定位環 Collar -----	2
9	4TB0040109	定位環 Collar -----	1
10	4TB0040110	帶架 Tape Holder -----	1
*11	-----	成形導模 Folder (FR406) -----	2
*12	-----	成形導模 Folder (FR407) -----	1
13	4TB0040113	螺樁 Stud -----	4
14	2100000223	墊圈 Washer -----	7
15	8MB04281207K	螺絲 Screw (CT0239 M4-0.7*12) -----	2
16	4TB0000106	支架 Holder -----	1
17	4TB0000109	帶位調整塊 Tape Guide Adjusting Holder -----	3
18	8MN03200300A	螺絲 Screw (CT0115 M3-0.5*3) -----	12
19	8MA03200306A	螺帽 Nut (FTB0111 M3-0.5*3) -----	3
20	8MB05320710A	螺絲 Screw (C030217 M5-0.8*7) -----	3
21	2210600116	螺樁 Stud -----	1
22	8MB04280807K	螺絲 Screw (CTS0215 M4-0.7*8) -----	7
23	8MA06400510A	螺帽 Nut (CT0533 M6-1*5) -----	1
*24	5231PF1204	壓腳 Presser Foot (針距 1/4) -----	-
*25	5231PF0605	壓腳 Presser Foot (針距 1/4-1/2") -----	-

* 特註品 Custom-made Item

2. TS007 滾條架 Tape Stand



2.TS007 滾條架

序號 Ref.No.	圖號 Parts No.	名稱 Description	單位用量 Amt.Req.
1	4TS0070101	座 Stand Base -----	1
2	4TS0070102	立柱 Rod -----	1
3	4TS0070103	旋臂 Arm -----	1
4	4TS0070104	柱帽 Rod Cup -----	1
5	4TS0070105	接頭 Joint -----	1
6	4TS0070106	接頭 Joint -----	1
7	4TS0070107	限動環 Stop Coller -----	2
8	4TS0070108	承盤 Plastic Plate -----	4
9	4TS0070109	軸 Shaft -----	1
10	4TS0070110	螺絲 Screw -----	3
11	8MC06400810A	螺絲 Screw -----	2
12	8MC05322709A	螺絲 Screw -----	1
13	8MC05321109A	螺絲 Screw -----	3
14	8MA03200408A	螺帽 Nut -----	4
15	4TS0070115	螺絲 Screw -----	2